

ETHERNET & POE OVER COAX
HIGHWIRE™
 POWERSTAR



HIGHWIRE Powerstar can be used in hospitals to minimise disruption when upgrading analogue to IP cameras

Ethernet and POE over coax to IP cameras without the need to re-cable

HIGHWIRE Powerstar uses existing coax cable to connect and power IP cameras without cabling costs. Easy to use and fast to install.

- | Re-use existing coax cable for IP cameras
- | Eliminate power cabling with POE-over-Coax™
- | Reliably power POE Plus cameras (25watts)
- | SAFEVIEW™ instantly checks connection + power status
- | Fully automatic - no configuration required
- | Simple fast, cost-effective installation
- | Full 100Base-TX Ethernet performance



A true plug-and-play solution for connecting and powering IP cameras over legacy coaxial cabling

Our unique ultra low-power design and reliable power delivery enables long range extension even over the lowest-grade cable, such as the high-resistance copper-clad steel (CCS) types found in many legacy installations.



Reliability Assured

HIGHWIRE Powerstar's unique ultra low-power design and efficient power delivery enables long range extension even over the lowest-grade cable, such as the high-resistance copper-clad steel (CCS) types found in many legacy installations. This means that legacy coax upgrades can be planned with confidence, while a quick check of the SAFEVIEW™ power display reaffirms that the devices' connection will continue to be reliable, whatever the cable used. Reliable power delivery is also ensured at the source, where either dependable screw terminal

connections or a UPS-backed POE supply can be used. For predictable network operation with no restrictions, HIGHWIRE delivers a full 200Mbit/s of bandwidth at 300m (1000 ft) of RG-59 or 500m (1600 ft) of RG-11 coax.

Simply Add Power

With no need to configure IP addresses, set DIP switches, or make awkward measurements and calculations, installing HIGHWIRE Powerstar is so straight forward, all you do is plug it in.

In the most simple implementation, the BASE unit receives POE power

from a standard POE switch or injector and transmits it down the coax. The CAMERA unit receives this power and forwards it on to the IP camera. No external power cabling is required, and all of the detection and setup occurs automatically.

If insufficient POE is available at the camera end, the HIGHWIRE Powerstar camera unit can be powered locally, as an option.

POE-over-Coax™ Range

HIGHWIRE Powerstar delivers reliable power at long range, even over low

POE-OVER-COAX RANGE TABLE

POWER SOURCE	POE OR POE PLUS SWITCH					VERACITY POWER SUPPLY					
	Camera Power (watts)	5	10	15	20	25	5	10	15	20	25
RG-59 (22AWG core) <i>Copper Core</i>	300m 1000ft	300m 1000ft	265m 880ft	195m 650ft	N/A N/A	300m 1000ft	300m 1000ft	300m 1000ft	300m 1000ft	300m 1000ft	300m 1000ft
RG-59 (20AWG core) <i>Copper Core</i>	300m 1000ft	300m 1000ft	300m 1000ft	300m 1000ft	N/A N/A	300m 1000ft	300m 1000ft	300m 1000ft	300m 1000ft	300m 1000ft	300m 1000ft
RG-11 (14AWG core) <i>Copper Core</i>	500m 1600ft	500m 1600ft	500m 1600ft	500m 1600ft	N/A N/A	500m 1600ft	500m 1600ft	500m 1600ft	500m 1600ft	500m 1600ft	500m 1600ft
RG-59 (22AWG CCS) <i>Copper Coated Steel</i>	225m 750ft	125m 420ft	100m 330ft	60m 200ft	N/A N/A	270m 900ft	265m 880ft	185m 620ft	140m 460ft	110m 360ft	

Once HIGHWIRE Powerstar is connected SAFEVIEW™ will automatically indicate available POE power level

HIGHWIRE Powerstar adds the convenience of POE-over-Coax™ technology and gives you the reassurance of SAFEVIEW™ monitoring which displays the power available at the base unit without access to the remote equipment.

grade CCS cable, and SAFEVIEW™ confirms it automatically on installation. In most cases the full 25 watts required by the most powerful POE Plus IP cameras is available. The table below shows the range achievable by cable type, power source and camera wattage.

Installer friendly

HIGHWIRE Powerstar features Veracity's unique SAFEVIEW™ display, to provide IP camera installers with an instant and very easy-to-understand confirmation of correct operation from either end of the cable. For example,

the network link/activity and POE status of the IP camera can be viewed from the BASE unit, saving the time of accessing remote equipment.

Cable length and quality can be hard to predict or measure, especially in legacy upgrade scenarios, which is why SAFEVIEW™ includes a reassuring bar - graph display of the POE power available, and a warning if the camera's requirement approaches it.

True POE Plus detection means that all POE (IEEE 802.3af) and POE

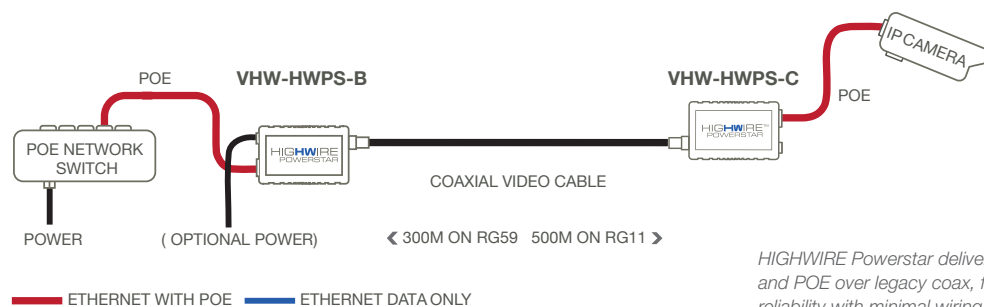
Plus (IEEE 802.3at) cameras are fully supported, and non-POE equipment can be safely connected as well.

Careful POE-over-coax™ detection and management is also employed, to prevent accidental damage to legacy equipment and allow operation with other HIGHWIRE models.

Multichannel Options

Multichannel HIGHWIRE Powerstar Base units are available in 4 and 8 channel models, with full POE Plus output per port.

ETHERNET AND POWER OVER COAX APPLICATION DIAGRAM



HIGHWIRE Powerstar delivers Ethernet and POE over legacy coax, for maximum reliability with minimal wiring.

TECHNICAL SPECIFICATION

HIGHWIRE™
POWERSTAR**POWER**

Unit power	1.5 watts
BASE POE In	IEEE 802.3af (POE) or IEEE 802.3at (POE Plus), 2-event, power class 4
CAMERA POE Out	IEEE 802.3af (POE) or IEEE 802.3at (POE Plus)
DC Power input	40-57 volts, 0.7 amps maximum, class 2 isolated, detachable screw terminal

HIGHWIRE INTERFACE

Connector type	BNC 75 Ohm
Cable type	Any 75 Ohm coaxial (other impedances supported)
Range	Up to 300m [1100ft] on RG59 or 500 metres [1600 feet] on RG11 at full rate
Bandwidth	200 Mbps (total up + down)

ETHERNET INTERFACE

Connector type	RJ45
Cable type	Patch or crossover, auto-detected
Rate	100Base-TX full-duplex with auto-negotiation

LEDS

Status indicators	HIGHWIRE coax link Ethernet link/activity (BASE) Ethernet link/activity (CAMERA) POE-over-coax POE to camera Power available (5/10/15/20/25W)
Colours	Off - Disabled. Green - Enabled. Red - Fault.

PHYSICAL/ENVIRONMENTAL

Dimensions	L 104mm W 54mm H 24mm (84mm excluding connector)
Weight	140g [5oz]
Operating temperature	-10°C to 50°C [14°F to 122°F] (delivering POE <15w) -10°C to 40°C [14°F to 104°F] (delivering POE Plus >15w)
Relative humidity	85% non-condensing
Compliance	FCC, CE, RoHS

PRODUCT CODES

VHW-HWPS-B	HIGHWIRE Powerstar™ Base unit, for installation at the switch side Features 802.3af/802.3at POE or 57V DC power input & POE-over-coax™ output
VHW-HWPS-C	HIGHWIRE Powerstar™ Camera unit, for installation at the camera side Features POE-over-Coax™ or 57V DC power input & 802.3af/802.3at POE output
VPSU-57V-800	Optional 57V DC 800mA power supply. Recommended for maximum range and POE-over-coax™, or as a convenient alternative to a POE switch or injector
VHW-WMB	Wall mounting bracket for a single HIGHWIRE or HIGHWIRE Powerstar unit
VHW-DNB	DIN rail mounting bracket kit
VHW-HWPS-B8	HIGHWIRE Powerstar Base 8™ - eight channel EOC base unit (optional rackmount)



veracity

Surge Protection

All Veracity products have been independently tested to verify their resilience to the stringent immunity levels of international standards. Users should note that no electronic equipment can be guaranteed to be completely protected at levels beyond the defined standard; therefore product warranty cannot include damage to products which has been caused by surges exceeding those of the standards specified, for example lightning strike activity.

It is the user's responsibility to implement relevant surge protection measures, as appropriate to the installation. This may include the fitting of additional surge protection devices where required.

Veracity HQ
Prestwick International Aerospace Park
4 Dow Road
Prestwick
UK
KA9 2TU
Tel +44 (0) 1292 264967

www.veracityglobal.com
sales@veracityglobal.com

See www.veracityglobal.com website for country and region specific contacts.

© Veracity UK Ltd 2019. All rights reserved. VV2.7EN
Under no circumstances should this document be reproduced, distributed or changed, partially or wholly, without written, formal authorisation from Veracity UK Ltd.
HIGHWIRE, HIGHWIRE Powerstar, HIGHWIRE Powerstar Duo/Quad, HIGHWIRE Powerstar Base 8 are trademarks of Veracity UK Ltd.