



Installation **GUIDE**

1kW Power Supply | VPSU-POE-1000

Version 1.3

Contents


A)	Quickstart Guide Legends	3
B)	Safety Instructions	4
C)	Product Package Contents	5
D)	Hardware Overview	6
E)	Installation	7
F)	Troubleshooting	8


Veracity UK Ltd
Prestwick International Aerospace Park
4 Dow Road
Prestwick
UK
KA9 2TU


Veracity's Authorised Representative in the EU (as required by EU law for CE marked goods) is:
EU Authorised Representative: Comply Express Unipessoal Limitada, StartUp
Madeira, EV141, Campus da Penteadá, 9020 105 Funchal, Portugal


A) Quickstart Guide Legends

 The Information icon highlights particularly useful information or items which are very important to note when using or configuring the product.

 The Caution icon indicates possible actions or procedures which could prevent proper operation or cause a system malfunction and the associated text will explain how to avoid this.

 The Warning icon highlights important basic safety issues which if ignored may have the potential for damage to the hardware, property damage, personal injury or even death.

 **Users are advised to read the safety information before connecting and using the product.**

 References to further product information are listed at the end of this guide or may be downloaded from the Veracity website www.veracityglobal.com. Refer to these resources for full product information, information about terms and conditions of use, limited warranties, returns, software licence agreements, environmental and recycling procedures, and any other regulatory notices.

Information in this guide is subject to change without notice.

B) Safety Instructions

These safety instructions are important and are provided to help prevent equipment damage and injury to the installers and operators of the system. Please read and understand all these instructions before connecting and switching on the product



The product shall be installed by a trained professional.



The product shall be used in compliance with local laws and regulations.



Do not use a damaged power cable with the product. If the cable is cut, damaged, severely twisted, or if the plug is loose, replace the power cable with a new one.



Do not place liquids (e.g., tea, coffee etc.) on top of the product. Specifically, do not spill any liquids onto or into the product. If this happens, immediately switch off the power at the wall outlet and disconnect all cables from the unit.



Do not handle the product or the power cable with wet hands. This could result in electric shock and even death.



Do not insert any items into the air vents or openings anywhere on the unit. To do so may cause damage to fans and other components, may cause the system to malfunction and may result in electric shock and even death.



Use the correct tools when installing the product. Use of excessive force could damage the product and expose hazardous voltages.



Use the product only with the equipment it is specified for.



Repair and service of the product shall be provided by Veracity or an authorised third party. Do not attempt to repair the product by yourself.



Ensure that the product is securely held, at all times as dropping the product will almost certainly damage it (possibly beyond repair) and more importantly, may cause severe personal injury, especially to hands and feet. Extreme caution is essential.



This equipment is not suitable for use in locations where children are likely to be present.



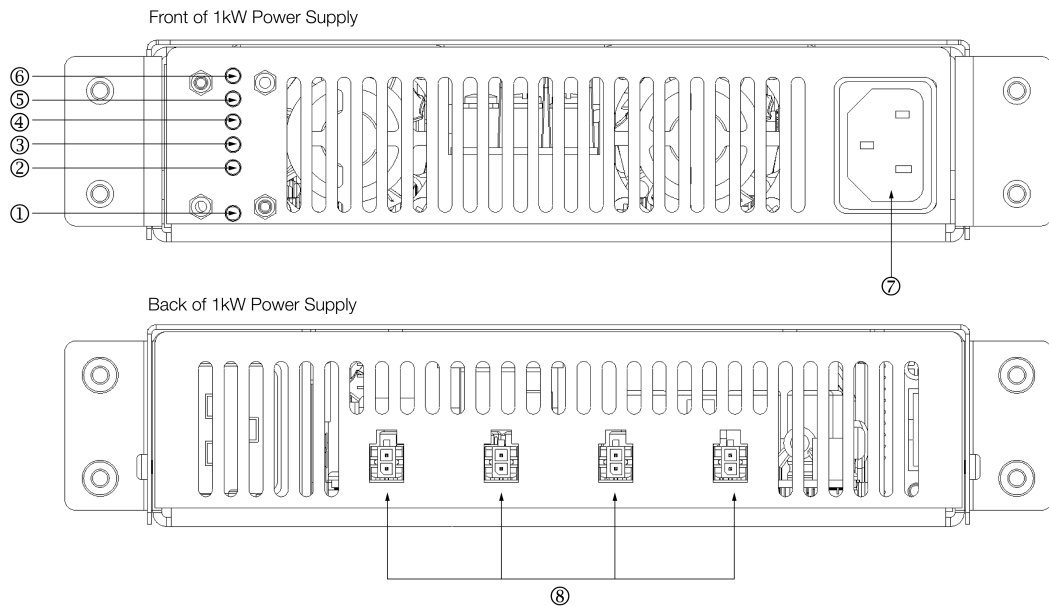
Use the original packaging or equivalent, when transporting the product, to minimise the chance of damage.

C) Product Package Contents

Carefully unpack the package contents, consisting of the following:

- | Power supply unit.
- | 19" Rackmounting bracket.
- | 19" Rackmounting screw kit.
- | M4 x 8mm x 4 countersink screws for attaching power supply to mounting bracket.
- | Mains Cable (IEC C13 style)
- | 400mm DC power patch cables x 4
- | This Installation Guide.

D) Hardware Overview



1. Power LED
2. >20% Power LED
3. >40% Power LED
4. >60% Power LED
5. >80% Power LED
6. Maximum Power warning LED
7. AC Power input connector
8. DC Power output connectors

LED Indicators

LED	Colour	Description
Power LED	Green	Output power on.
20, 40, 60% LEDs	Green	Display of approximate power delivery.
80% LED	Amber	Warning LED for exceeding 80% of capability.
Maximum Power LED	Red	Maximum power capability exceeded.

Power Connectors

AC Connector. IEC C14 inlet. Use supplied mains cable.

DC Connector. Molex micro-fit style. Use supplied patch cables.

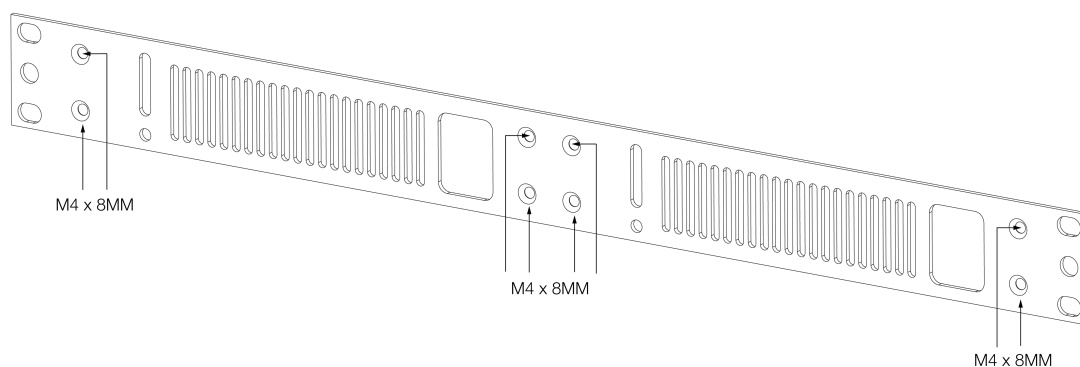
Specifications

Input Voltage	100-240 V AC
Input Frequency	50 / 60 Hz
Input Current	11A Max
Output Voltage	57V DC
Output Current Max	17.5A
Operating Temperature	0 to 40 ° C (32 °F to 104 °F)
Storage Temperature	-10 °C to 70 °C (14 °F to 104 °F)

E) Installation

Note that the 1kW Power Supply is designed for use with Veracity HIGHWIRE Base 4 (VHW-HWPS-B4) and Base 8 (VHW-HWPS-B8) devices as well as LONGSPAN Base 8 (VLS-LS-B8), while installed in the associated Tray Base chassis (VRM-TRAY-BASE).

The recommended installation procedure is as follows:



1. Attached PSU to rackmount bracket using 4 x M4 x 8mm countersink screws.
2. Attach patch cables to PSU as required.
3. Mount PSU and bracket to rack using supplied rackmount screw kit.
4. Install Veracity HIGHWIRE or LONGSPAN equipment into Tray Base unit.
5. Attach patch cables to Veracity equipment as required.
6. Mount Tray Base assembly into rack.
7. Attach power cable to the PSU and apply power. Ensure the power display provides an indication of appropriate power consumption.

Note, A single rackmounting bracket is designed to hold up to 2 PSUs. In which case they should both be assembled to the bracket before installation into the rack.

F) Troubleshooting

As the majority of issues for a PSU are related to connectivity or overload situations, please ensure all cabling is connected as required and the system power consumption is not exceeded.

- i. No Green Power LED.
 - a. Mains Cable disconnected.
 - b. Supply Fuse has blown.

- ii. Equipment not powered.
 - a. Patch cables not securely attached between PSU and associated equipment.

- iii. Equipment power cycling.
 - a. Check PSU power meter for overload situation.
 - b. Disconnect equipment individually to determine faulty unit.