

## FCC CERTIFICATION

This device complies with Part 15 of the FCC Rules. Operation is subject to the following two conditions: (1) this device may not cause harmful interference, and (2) this device must accept any interference received, including interference that may cause undesired operation.

*NOTE: This equipment has been tested and found to comply with the limits for a Class A digital device, pursuant to Part 15 of the FCC Rules. These limits are designed to provide reasonable protection against harmful interference when the equipment is operated in a commercial environment.*

*This equipment generates, uses, and can radiate radio frequency energy and, if not installed and used in accordance with the instruction manual, may cause harmful interference to radio communications. Operation of this equipment in a residential area is likely to cause harmful interference in which case the user will be required to correct the interference at his own expense.*



© Veracity UK Ltd 2024 QSG DV1.6EN  
CAMSWITCH 4 and 8 Mobile are trademarks of Veracity UK Ltd

## SURGE PROTECTION

### Surge Protection

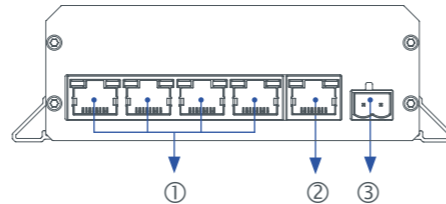
All Veracity products have been independently tested to verify their resilience to the stringent immunity levels of international standards. Users should note that no electronic equipment can be guaranteed to be completely protected at levels beyond the defined standard; therefore product warranty cannot include damage to products which has been caused by surges exceeding those of the standards specified, for example lightning strike activity.

It is the user's responsibility to implement relevant surge protection measures, as appropriate to the installation. This may include the fitting of additional surge protection devices where required.

**Veracity UK Ltd.** Prestwick International Aerospace Park, 4 Dow Road, Prestwick, KA9 2TU. UK

Veracity's Authorised Representative in the EU (as required by EU law for CE marked goods) is: Comply Express Unipessoal Limitada, StartUp Madeira, EV141, Campus da Penteadá, 9020 105 Funchal, Portugal.

## CONNECTIONS



- ① 4 Network ports with 802.3at POE
- ② 1 Data-only port
- ③ 12V DC / 24V DC Power input

- | All ports support 10Base-T/100Base-TX Ethernet with auto-negotiation & auto-crossover.
- | POE is automatically detected and enabled to compliant devices.
- | POE is delivered on the Ethernet data pairs for compatibility with 4-pin external connectors (e.g. M12). Cables should be secured appropriately to prevent vibration.

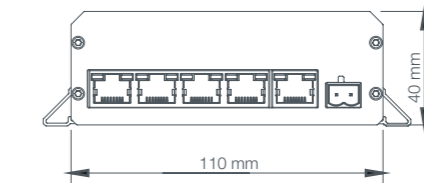
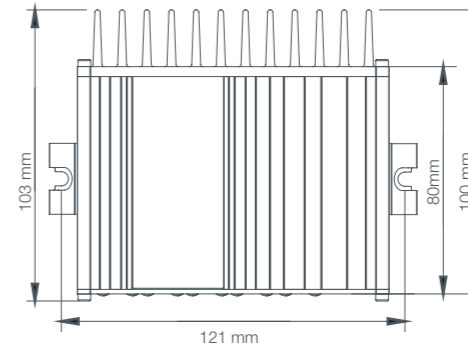
## LEDS

LED	FUNCTION
Green	On = POE Detected and Enabled On = Power Good (non-POE port)
Yellow	On = Ethernet Link Flash = Ethernet Activity



- | Width 110mm (131mm inc. clips)
- | Depth 108mm (inc. DC connector)
- | Height 40mm
- | Weight 290g

## DIMENSIONS



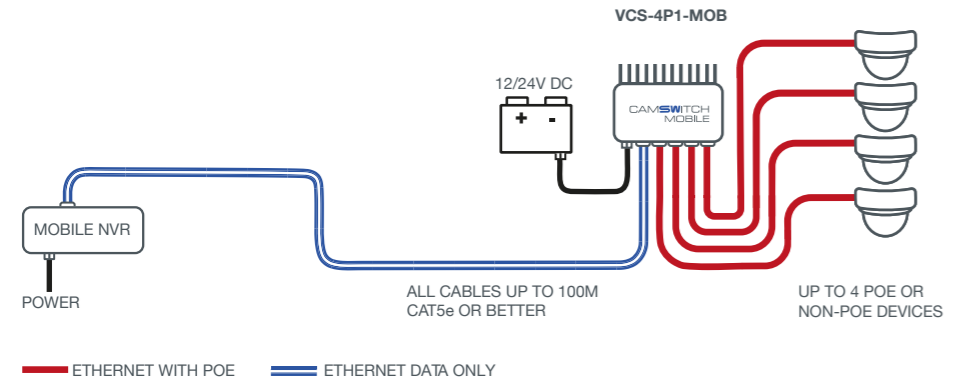
VCS-4P1-MOB

## QUICKSTART GUIDE

LOW VOLTAGE 802.3AT POE SWITCH  
**CAMSWITCH®**  
4 MOBILE



## APPLICATION DIAGRAM DC POWERED



CAMS SWITCH 4 Mobile delivers a network connection and optional POE to 4 cameras. POE is converted to IEEE 802.3af / 802.3at levels from a 12V or 24V DC supply.

## POWER BUDGET

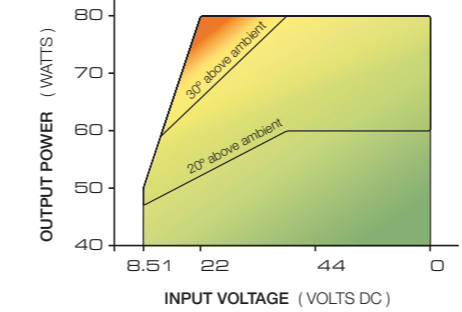
CAMS SWITCH 4 Mobile can deliver up to 80 watts of total camera power at its rated ambient temperature of 50°C.

To calculate the power budget required, add up the power draw in watts of all POE devices, as given in their datasheets. (Power classes are not used, and cable losses are already accounted for). Note that the enclosure may become hot in operation. Restricted access to the product is recommended.

The graph opposite shows the approximate temperature rise with moderate ventilation. Note that restricted ventilation and space can lead to significantly increased ambient temperature.

If the input voltage drops below 12V (for example during engine cranking) the power budget should be reduced as shown on the graph, down to 50 watts at the minimum 8.5V DC input.

## POWER CHART



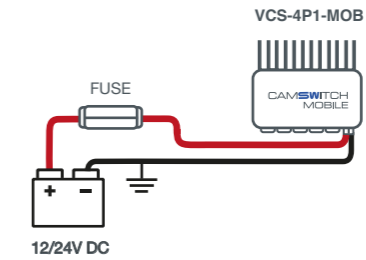
## POWER CONNECTIONS

CAMS SWITCH 4 Mobile can operate from an 8.5V to 40V DC supply, and steps this up to a steady POE voltage internally.

The power supply or battery and wiring must be appropriately rated and fused for the current required. Recommended fuse ratings (slow blow type) are shown in the Power Budget Table:

POWER BUDGET	80W	60W	40W	20W	No POE
Fuse Rating (12V)	10A	7.5A	5A	3A	2A
Fuse Rating (24V)	5A	4A	3A	2A	2A

Note that the POE voltage is not isolated from the DC supply. CAMS SWITCH 4 Mobile is intended for use with IEEE-compliant (individually isolated) POE and Ethernet devices within a closed system.



## WALL MOUNT CLIPS

The enclosed mounting clips can be clipped where required along the side of the device to permit surface mounting.

Up to M5 screws can be used at 122mm separation.

Consult the Power Chart if ventilation is restricted.

To mount the device securely to a flat surface, fit the easy to use clips as shown.

