

## [ SURGE PROTECTION ]

### Surge Protection

All Veracity products have been independently tested to verify their resilience to the stringent immunity levels of international standards. Users should note that no electronic equipment can be guaranteed to be completely protected at levels beyond the defined standard; therefore product warranty cannot include damage to products which has been caused by surges exceeding those of the standards specified, for example lightning strike activity.

It is the user's responsibility to implement relevant surge protection measures, as appropriate to the installation. This may include the fitting of additional surge protection devices where required.

**Veracity UK Ltd**  
 Prestwick International Aerospace Park, 4 Dow Road,  
 Prestwick, KA9 2TU. UK

Veracity's Authorised Representative in the EU (as required by EU law for CE marked goods) is: Comply Express Unipessoal Limitada, StartUp Madeira, EV141, Campus da Penteada, 9020 105 Funchal, Portugal.

## [ FCC CERTIFICATION ]

**This device complies with Part 15 of the FCC Rules.** Operation is subject to the following two conditions: (1) this device may not cause harmful interference, and (2) this device must accept any interference received, including interference that may cause undesired operation.

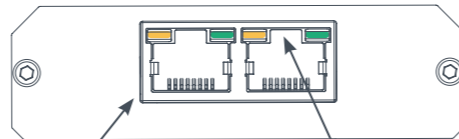
*NOTE: This equipment has been tested and found to comply with the limits for a Class B digital device, pursuant to Part 15 of the FCC Rules. These limits are designed to provide reasonable protection against harmful interference when the equipment is operated in a commercial environment.*

*This equipment generates, uses, and can radiate radio frequency energy and, if not installed and used in accordance with the instruction manual, may cause harmful interference to radio communications. Operation of this equipment in a residential area is likely to cause harmful interference in which case the user will be required to correct the interference at their own expense.*



© Veracity UK Ltd 2021 QSG V1.7 EN  
 HIGHWIRE Powerstar Duo is a registered trademark of Veracity UK Ltd

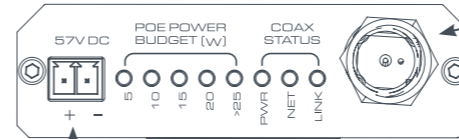
## [ CONNECTIONS & LEDS ]



RJ45 Ethernet 10/100Base-Tx and POE connectors (auto speed, duplex, crossover, POE/POE Plus)

LED	FUNCTION
<b>RJ45 Yellow</b>	On = link Blink = activity
<b>RJ45 Green</b>	On = POE detected and enabled

## [ CONNECTIONS & LEDS ]



BNC Connector (for connection to any 75ohm coaxial cable)

Power Connector Optional (Connect to a Veracity 57V power supply only - in polarity shown)

LED	FUNCTION	GREEN	ORANGE	RED
<b>COAX LINK</b>	Coax data connection	Blink = no link On = 100Mbps	Loss of data	Severe Loss of data
<b>COAX NET</b>	Base side network connection	On = link Blink = activity	n/a	10Base-T (not supported)
<b>COAX PWR (Power)</b>	POE over coax status	On = enabled by Base device	n/a	Blink = error code
<b>POE POWER BUDGET</b>	Total camera power budget	On = available 5W blink = <5W	Approaching power limit	Power limit exceeded

VHW-HWPS-C2

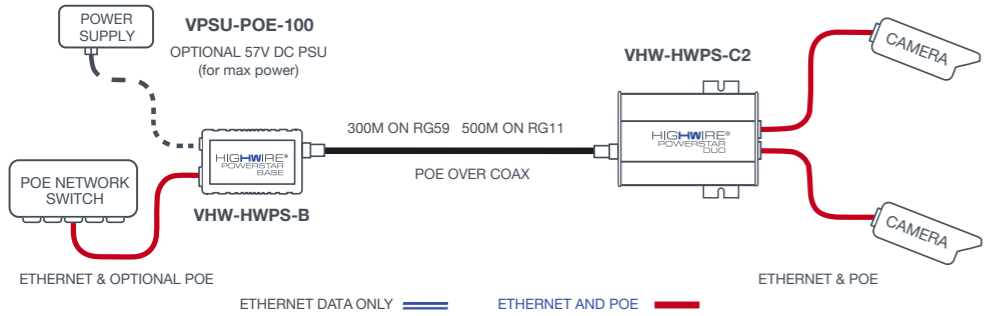
## [ QUICKSTART GUIDE ]

2 PORT ETHERNET OVER COAX ADAPTOR

**HIGHWIRE®**  
**POWERSTAR**  
**DUO**



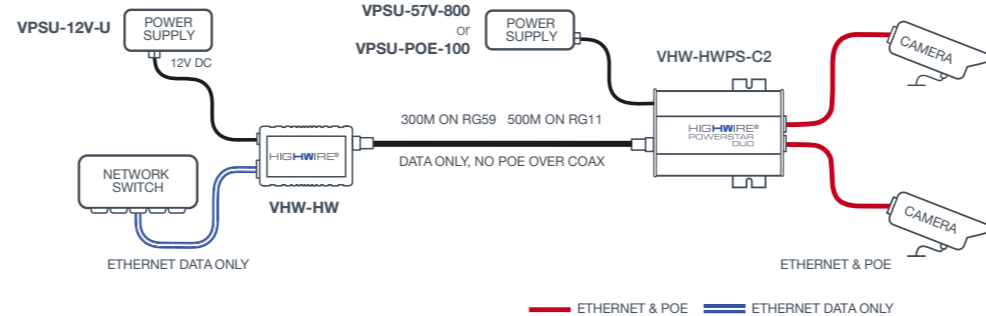
APPLICATION DIAGRAM  
POE OVER COAX



- Connect 1-2 cameras or POE / non-POE devices to the RJ45 ports.
- 57V DC power to the HIGHWIRE Powerstar Base device is recommended, giving typically 25 watts of total camera power budget.

- Total camera power budget using a POE switch is typically 8 watts (802.3af) or 18 watts (802.3at). Refer to the power budget table in the datasheet.
- Note | The LED indicated power is the total limit and remains constant.

APPLICATION DIAGRAM  
LOCAL POWER SUPPLY



- Connecting 57V DC power directly to the HIGHWIRE Powerstar Duo device increases the POE power available if required.
- The VPSU-57V-800 supply supports 40 watts of total camera power and the VPSU-POE-100 supports 100 watts.

- No POE is sent over the coax, therefore a HIGHWIRE VHW-HW powered by 12V DC may be used at the base side.

PRODUCT DIMENSIONS

