

[SURGE PROTECTION]

Surge Protection

All Veracity products have been independently tested to verify their resilience to the stringent immunity levels of international standards. Users should note that no electronic equipment can be guaranteed to be completely protected at levels beyond the defined standard; therefore product warranty cannot include damage to products which has been caused by surges exceeding those of the standards specified, for example lightning strike activity.

It is the user's responsibility to implement relevant surge protection measures, as appropriate to the installation. This may include the fitting of additional surge protection devices where required.

Veracity UK Ltd

Prestwick International Aerospace Park, 4 Dow Road, Prestwick, KA9 2TU. UK

Veracity's Authorised Representative in the EU (as required by EU law for CE marked goods) is: Comply Express Unipessoal Limitada, StartUp Madeira, EV141, Campus da Penteada, 9020 105 Funchal, Portugal.

[FCC CERTIFICATION]

These devices comply with Part 15 of the FCC Rules.

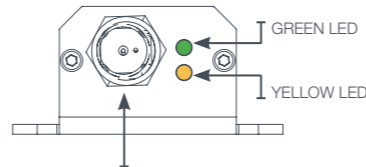
Operation is subject to the following two conditions: (1) these devices may not cause harmful interference, and (2) these devices must accept any interference received, including interference that may cause undesired operation.

RADIO AND TELEVISION INTERFERENCE

NOTE: This equipment has been tested and found to comply with the limits for a Class A digital device, pursuant to Part 15 of the FCC rules. These limits are designed to provide reasonable protection against harmful interference when the equipment is operated in a commercial environment.

This equipment generates, uses and can radiate radio frequency energy and, if not installed and used in accordance with the instruction manual, may cause harmful interference to radio communications. Operation of this equipment in a residential area is likely to cause harmful interference in which case the user will be required to correct the interference at his own expense.

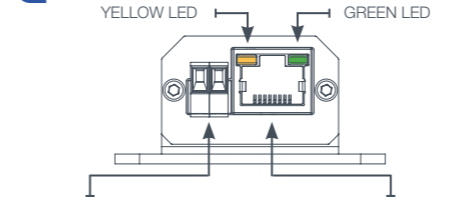
[CONNECTIONS & LEDS]



BNC coaxial connector for connection to any 75ohm coaxial cable

LED	FUNCTION
Green Blink = Rapid blink = Flash = On =	Power good, no link detected Establishing coax link 10Base-T link established 100Base-TX link established
Yellow On = Blink off =	Coax link established Network activity on coax link

[CONNECTIONS & LEDS]



Veracity 12V DC Power Supply
RJ45 copper Ethernet connector (speed will match coax speed)

LED	FUNCTION
RJ45 Green On =	Power good
RJ45 Yellow On = Blink off =	10Base-T or 100Base-TX established Network activity on Ethernet link



© Veracity UK Ltd 2021 QSG DV1.1 EN
HIGHWIRE Longstar Lite is a registered trademark of Veracity UK Ltd

www.veracityglobal.com

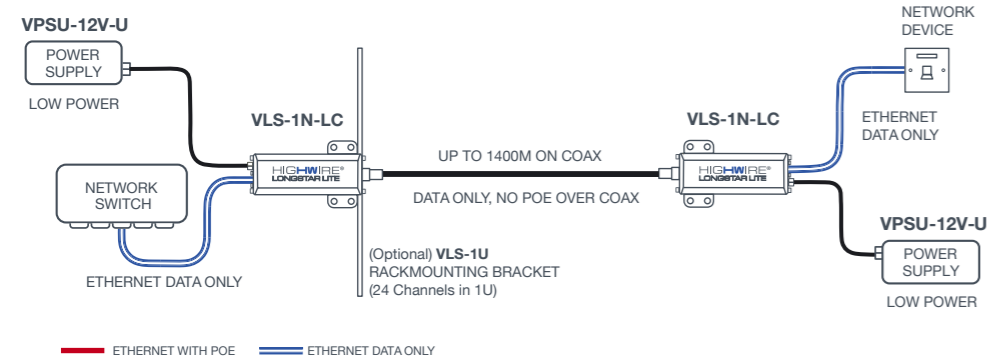
VLS-1N-LC

[QUICKSTART GUIDE]

LONG DISTANCE EOC ADAPTOR
HIGHWIRE®
LONGSTAR LITE



APPLICATION DIAGRAM



For HIGHWIRE Longstar Lite applications, both devices must be powered by 12V DC.

No POE is delivered across the coaxial cable. For POE-enabled units, use the HIGHWIRE Longstar Base and Camera pairs.

HIGHWIRE Longstar Lite provides a long distance data-only connection.

As an option, a HIGHWIRE Longstar Camera version powered by a local 5V Power Supply may be used at the camera end to provide POE to the camera or other device.

HIGHWIRE LONGSTAR LITE RANGE

DATA CABLE TYPE	100Base-TX	10Base-T
RG59 (22AWG CCS)	540m	1,500m
RG59 (20AWG core)	690m	2,500m
RG6 (18AWG core)	950m	2,800m
RG11 (14AWG core)	1400m	4,200m

These are typical limits for 100Base-TX and 10Base-T connections.

The figures in the table are approximate.

PRODUCT DIMENSIONS

Remove the outer front mounting plate for use in VLS-1U Rackmount

